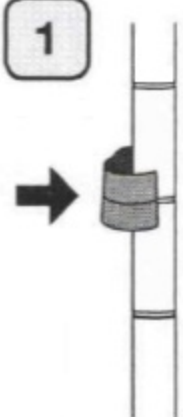


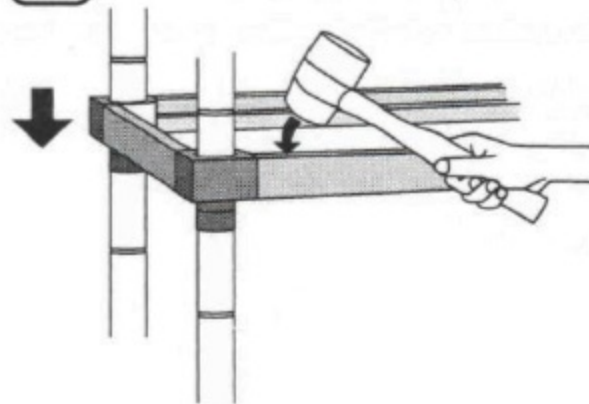
Hyllsystem med avtagbara hyllor av polytylenplast

1



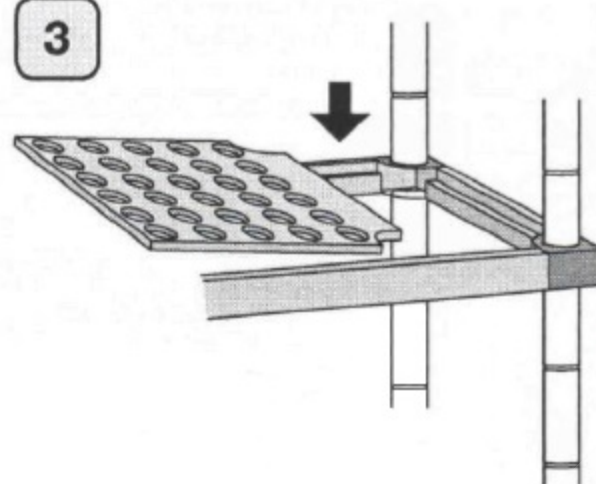
Open the plastic bushings and fit them to the poles at the desired height.

2



Insert the aluminium shelf frame also by using a rubber hammer.

3



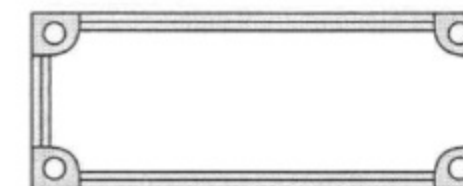
Insert the plastic pans according to the aluminium frame grooves.

modular shelving made of anodised aluminium and plastic pans. Available both in polypropylene (PP) and polyethylene (PE).

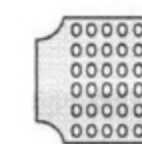


16

4 Stk.



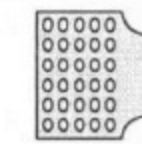
4 Stk.



4 R



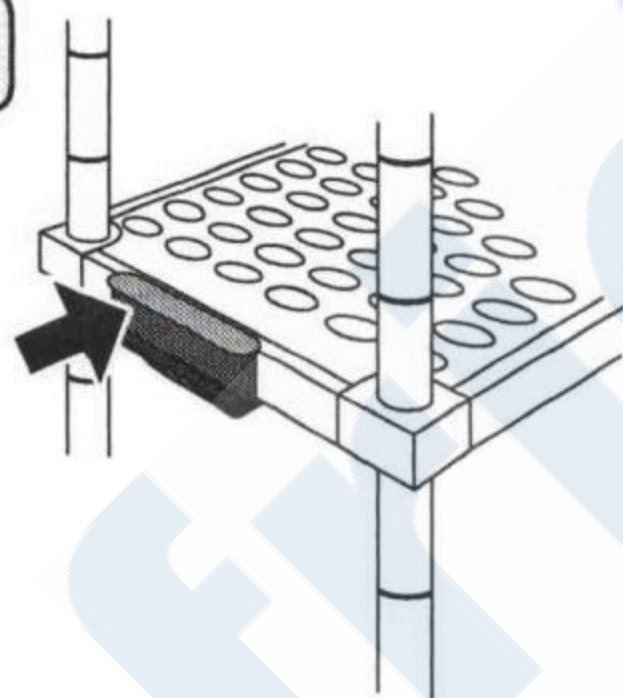
8



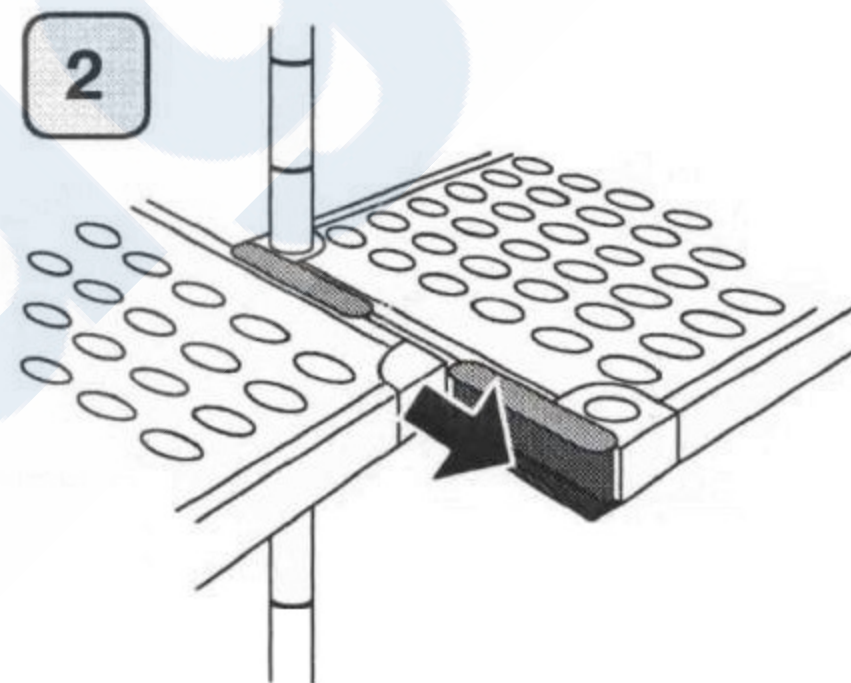
4 L

Corner composition:

1



2



To compose the corner module without pole, insert the plastic junctions, 2 for each shelf, on the opposite sides of the frame. Recessed area will help for correct placing. Second shelf will be connected by sliding inside junctions. Also use a rubber hammer to facilitate shelf frame sliding.

Hyllsystem

Produktnr 101.007.SP-O

www.kylkom.se info@kylkom.se
tfn. 08-551 146 45

